

# SQUARE CAMERA

## TSM-S35, TSM-S35X Series B/W SQUARE CAMERA



### - FEATURES -

- TSM-S35 : 1/3" SONY DSP Super HAD B/W CCD  
TSM-S35X : 1/3" SONY DSP EX-View B/W CCD
- 420TV Lines
- 35x35mm Size Miniature Camera
- Audio Amplifier and microphone (Optional)
- TSM-S35 : 0.02Lux/F1.2  
TSM-S35X : 0.0003Lux/F1.2
- Automatic Gain Control
- Electronic Shutter
- Strong Compatibility with Various Lens Types



### - LENS OPTION -



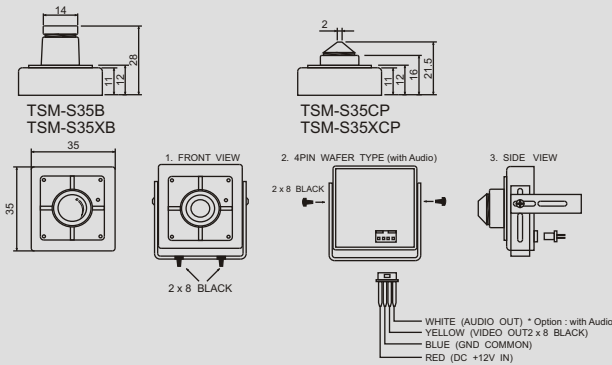
**Board Lens**  
- TSM-S35B  
- TSM-S35XB



**Conical Pinhole Lens**  
- TSM-S35CP  
- TSM-S35XCP

### - DIMENSION -

TSM-S35 / TSM-S35X Series



### - SPECIFICATION -

TSM-S35 / TSM-S35X Series		
Signal Format	EIA	CCIR
Horizontal Resolution	420TV Lines	
Image Sensor	TSM-S35 : 1/3" SONY DSP Super HAD B/W CCD TSM-S35X : 1/3" SONY DSP EX-View B/W CCD	
Scanning System	525 lines interlaced	625 lines interlaced
Synchronization	Internal	
Video Output	Standard composite 1Vp-p composite video into 75Ω	
Min. Illumination	TSM-S35 : 0.02Lux/F1.2, TSM-S35X : 0.0003Lux/F1.2	
Signal to Noise Ratio	45dB or more (AGC Off)	
Gamma	0.45	
AGC	On	
Input Voltage	DC 12V (±10%) / 1.8W	
Case Material	Metal	
Operating Temperature	-10°C to +55°C	
Operating Humidity	Under 85% Non-condensing	
Lens Option	Board Lens, Conical Pinhole Lens	
Dimension	35(W) x 35(H) mm	
Weight	48g	
Accessory	Mounting Bracket / 2 Screws - Included DIY Cable (Video-BNC, Power-DC, 30cm) - Optional	
Option	Audio	