

## COVERT CAMERA

# THC-512S2P

## 600TVL/D-WDR COVERT CCTV CAMERA



### - FEATURES -

- 1/3" SONY High-Resolution Super HAD II CCD
- 600TV Lines Horizontal Resolution
- Excellent Low Light Sensitivity of 0.3Lux/F1.2
- Day & Night
- Digital WDR : Digital Wide Dynamic Range
- DNR : Digital Noise Reduction
- HLC : High Light Compensation
- Blemish Compensation : 64 Points
- Lens Shading
- Parking Line
- RS-485 Communication (Pelco-D/P)
- Built-in OSD Controller
- Conical Pinhole Lens 3.3mm / Angle View 130°



1/3" SONY  
SUPER HAD II CCD



DAY & NIGHT



DIGITAL  
WDR  
DIGITAL WIDE  
DYNAMIC RANGE



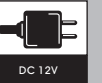
2D+3D  
DNR  
2D+3D DIGITAL  
NOISE REDUCTION



HLC  
HIGH-LIGHT  
COMPENSATION

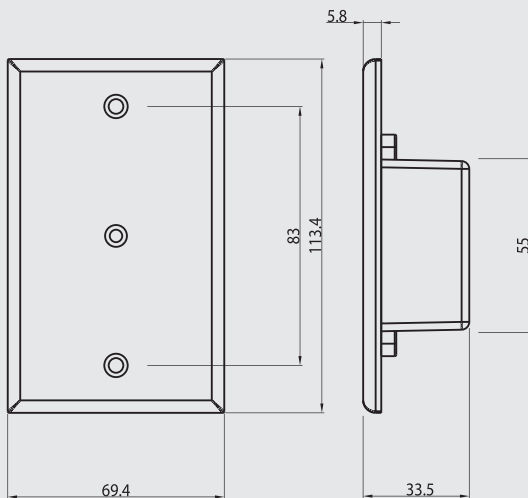


AUTO IRIS



DC 12V

### - DIMENSION -



### - SPECIFICATIONS -

| THC-512S2P             |   |                            |
|------------------------|---|----------------------------|
| Signal Format          | NTSC  | PAL                        |
| Horizontal Resolution  | 600TV Lines   |                            |
| Image Sensor           | 1/3" SONY High-Resolution Super HAD II CCD                    |                            |
| Total Pixels           | 811(H) x 508(V)   | 795(H) x 596(V)            |
| Effective Pixels       | 768(H) x 494(V)   | 752(H) x 582(V)            |
| Scanning System        | 2:1 Interlace   |                            |
| Synchronization        | Internal  |                            |
| Scanning Frequency     | 15.734 KHz(H), 59.94 Hz(V)                                    | 15.625 KHz(H), 50.00 Hz(V) |
| Video Output           | CVBS : 1.0Vp-p/75Ω  |                            |
| Min. Illumination      | 0.3Lux/F1.2   |                            |
| Electronic Shutter     | 1/60 ~ 1/100,000 sec  | 1/50 ~ 1/100,000 sec       |
| Iris Control           | MANUAL  |                            |
| Signal to Noise Ratio  | 52dB (AGC Off, Weight : On)                                   |                            |
| Backlight Compensation | BLC / HLC / OFF   |                            |
| White Balance          | ATW1 (2,300°K ~ 9,500°K) / ATW2 (2,000°K ~ 11,000°K) / MANUAL |                            |
| Gain Control           | LOW / HIGH / OFF  |                            |
| 2D+3D DNR              | ON / OFF (Level Adjustable)                                   |                            |
| Day & Night            | AUTO / COLOR / BW / EXT                                       |                            |
| Digital WDR            | ON / OFF  |                            |
| Motion Detection       | ON / OFF (4 Zone)   |                            |
| Privacy                | ON / OFF (8 Zone)   |                            |
| Horizontal Mirror      | ON / OFF  |                            |
| Communication          | Protocol : Pelco D/P, Cam ID 255, 2400 ~ 57600                |                            |
| Lens Shading           | ON / OFF  |                            |
| Parking Line           | User Setting (LT, LB, RT, RB, F, N, T)                        |                            |
| OSD                    | Built-in (English, Chinese)                                   |                            |
| Input Voltage          | DC 12V (±10%)   |                            |
| Power Consumption      | Max. 1.5W   |                            |
| Operating Temp/Hum     | Temperature : -10°C ~ +50°C / Humidity : 30% ~ 80% RH         |                            |
| Storage Temp/Hum       | Temperature : -10°C ~ +50°C / Humidity : 30% ~ 80% RH         |                            |
| Dimension              | 69.4(W) x 113.4(H) x 33.5(D)mm                                |                            |
| Weight                 | Approx. 80g   |                            |