

TEC-T72EM/DV28

680TVL / 3D-DNR / SENS-UP / TDN / 72 IR LED CAMERA



IP67



- FEATURES -

- 1/3" SONY 960H Ex-view HAD II CCD
- 680TV Lines Horizontal Resolution
- Excellent Low Light Sensitivity of 0.1Lux/F1.2
- Sens-up : x1024 (0.0004Lux/F1.2)
- 72ea IR LED (Visibility Range : 40~50m)
- True Day & Night
- IR Smart
- Digital WDR : Digital Wide Dynamic Range
- 3D-DNR : 3D-Digital Noise Reduction
- HLC : High Light Compensation
- DIS : Digital Image Stabilizer
- Motion Detection
- Privacy
- x8 Digital Zoom & Digital Pan / Tilt
- RS-485 Communication
- Built-in OSD Controller
- DC Varifocal ICR Lens f=2.8~11.0mm
- IP67 Weatherproof Type
- All Weatherproof Anodized Aluminum Housing and Sunshield



1/3 SONY 960H EX-VIEW HAD II CCD



FILTER SWITCHING MECHANISM



DAY & NIGHT



DIGITAL WDR
DIGITAL WIDE DYNAMIC RANGE



3D DNR
3D-DIGITAL NOISE REDUCTION



SENS-UP
x1024 SENS-UP



HLC
HIGH-LIGHT COMPENSATION



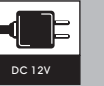
2.8-11.0mm VARIFOCAL LENS



72 IR LED

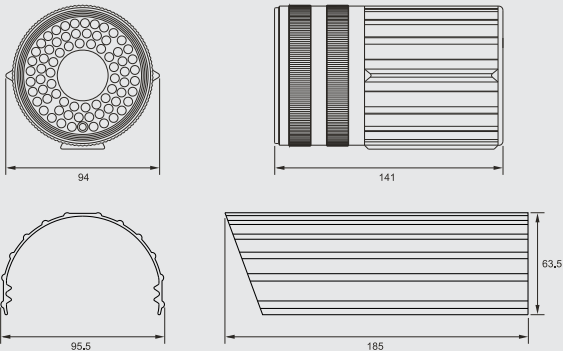


IP 67



DC 12V

- DIMENSION -

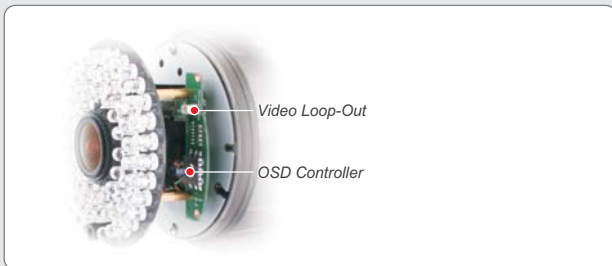


- SPECIFICATIONS -

TEC-T72EM/DV28		
Signal Format	NTSC	PAL
Horizontal Resolution	680TV Lines	
Image Sensor	1/3" SONY 960H Ex-view HAD II CCD	
Effective Pixels	976(H) x 494(V)	976(H) x 582(V)
Scanning System	2:1 Interface	
Synchronization	Internal	
Scanning Frequency	15.734 KHz(H), 59.94 Hz(V)	15.625 KHz(H), 50.00 Hz(V)
Video Output	CVBS : 1.0Vp-p/75Ω	
Min. Illumination	Color : 0.1Lux/F1.2 (Sens-up : 0.0004Lux/F1.2) BW : 0.01Lux/F1.2 (Sens-up : 0.00004Lux/F1.2)	
Electronic Shutter	1/60 ~ 1/10,000 sec	1/50 ~ 1/10,000 sec
Iris Control	ALC (DC Auto Iris)	
Signal to Noise Ratio	52dB	
Backlight Compensation	OFF / BLC / HLC	
White Balance	ATW1 / ATW2 / AWC / PUSH / MANUAL / INDOOR / OUTDOOR	
Gain Control	OFF ~ 36dB (3dB Unit)	
3D-DNR	OFF / ON	
Day & Night	AUTO / DAY / NIGHT / EXT1 / EXT2	
IR Smart	OFF / ON	
Sens-up	x1024	
Digital WDR	OFF / LOW / MIDDLE / HIGH	
Digital Image Stabilizer	OFF / ON	
Digital Zoom	OFF / ON (Level 1~8), Digital Pan/Tilt	
Flickerless	OFF / ON	
Motion Detection	48 Area Zone Masking	
Privacy	24 Area	
Rotate / Flip	OFF / H-FLIP / V-FLIP / ROTATE	
Sharpness	Level Adjustable	
Camera ID	OFF / ON (Max.20ea/1Line)	
Communication	RS-485 (PELCO-D/P)	
OSD	Eng, Chi, Jpn, Ita, Deu, Spa, Por, Rus	
Lens	DC Varifocal ICR Lens f=2.8~11.0mm	
LED Quantity	72 EA	
Input Voltage	DC 12V (±10%)	
Power Consumption	LED Off : Max. 1.5W / LED On : Max. 8.9W	
Operating Temp/Hum	Temperature : -40°C ~ +50°C (W/Heating Pad) / Humidity : Less than 90%	
Dimension	94(Ø) x 141(D)mm	
Weight	Approx. 1.1kg (W/Bracket & Sunshield)	

In accordance with customers' request and OSD controller's option, the specifications can be fixed or changed without notice.

- OSD CONTROLLER -



- CABLE -

