

TEC-S30QLS/DV28

560TV LINES/D-WDR/30 IR LED CAMERA



IP66



- FEATURES -

- 1/3" SONY High-Resolution Super HAD CCD
- 560TV Lines Horizontal Resolution (B/W : 600TV Lines)
- Excellent Low Light Sensitivity of 0.3Lux/F1.2 (0.001Lux/F1.2)
- Sens-up : x2 ~ x256 (0.0002Lux/F1.2)
- 30ea IR LED (Visibility Range : 20~25m)
- True Day & Night (ICR)
- IR Smart
- Digital WDR
- 2D+3D DNR Function
- HSBLC : Highlight Suppress BLC
- Motion Detection (4 Zone)
- Privacy (8 Zone)
- Blemish Compensation : 128 Points(Auto) / 4 Point (Manual)
- x32 Digital Zoom
- OSD menu control by remote control
- DC Varifocal ICR Lens f=2.8~11.0mm
- Adjustable lens without opening case : Focus, Zoom
- Cable located in the Bracket
- IP66 Weatherproof type
- All Weatherproof Anodized Aluminum Housing and Sunshield



1/3" SONY SUPER HAD CCD



FILTER SWITCHING MECHANISM



DAY & NIGHT



DIGITAL WDR
DIGITAL WIDE DYNAMIC RANGE



2D+3D DNR
2D+3D DIGITAL NOISE REDUCTION



SENS-UP
SENS-UP 0.0002 Lux



HSBLC
HIGH-LIGHT SUPPRESS BLC



2.8-11.0mm VARIFOCAL LENS



30 IR LED

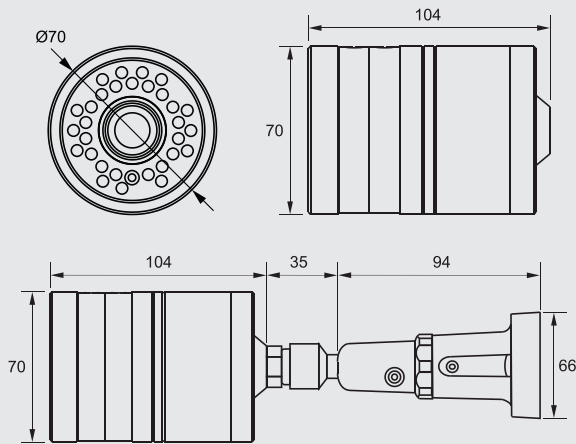


IP 66



DC 12V

- DIMENSION -



- SPECIFICATIONS -

TEC-S30QLS/DV28		
Signal Format	NTSC	PAL
Horizontal Resolution	Color : 560TV Lines, B/W : 600TV Lines	
Image Sensor	1/3" SONY High-Resolution Super HAD CCD	
Effective Pixels	768(H) x 494(V)	752(H) x 582(V)
Scanning System	2:1 Interface	
Synchronization	Internal	
Scanning Frequency	15.734 KHz(H), 59.94 Hz(V)	15.625 KHz(H), 50.00 Hz(V)
Video Output	CVBS : 1.0Vp-p/75Ω	
Min. Illumination	Color : 0.3Lux/F1.2, B/W : 0.001Lux/F1.2, Sens-up : 0.0002Lux/F1.2	
Electronic Shutter	1/60 ~ 1/100,000 sec	1/50 ~ 1/100,000 sec
IRIS Control	DC	
Signal to Noise Ratio	50 dB (AGC Off, Weight On)	
Backlight Compensation	BLC / HSBLC / OFF	
White Balance	AWB / MANUAL / INDOOR / OUTDOOR / ATW (2,000°K ~ 20,000°K)	
Gain Control	LOW / MIDDLE / HIGH / OFF	
2D + 3D DNR	ON / OFF	
Day & Night	AUTO / COLOR / BW / EXT	
IR Control	ON / OFF (IR Smart)	
Sens-up	AUTO / OFF (Selectable x2 ~ x256)	
Digital WDR	INDOOR / OUTDOOR / OFF	
Digital Zoom	OFF / ON (x1.1 ~ x32, PAN, TILT)	
Gamma	Adjustable (0.05 ~ 1.00)	
Motion Detection	ON / OFF (4 Zone)	
Privacy	ON / OFF (8 Zone)	
Mirror	MIRROR / V-FLIP / ROTATE / OFF	
Freeze	ON / OFF	
Sharpness	ON / OFF (Level Adjustable)	
Blemish Compensation	128 Points (Auto) / 4 Points (Manual)	
OSD	Built-in (English, Japanese, Korean)	
LED Quantity	30 EA	
Lens	DC Varifocal ICR Lens f=2.8~11.0mm	
Input Voltage	DC 12V (±10%)	
Power Consumption	LED Off : Max. 2.0W, LED On : 6.0W	
Operating Temp / Hum	Temperature : -10°C to +50°C / Humidity : 30% to 80% RH	
Storage Temp / Hum	Temperature : -20°C to +60°C / Humidity : 20% to 90% RH	
Dimension	72.0(Ø) x 103.5(D)mm	
Weight	Approx. 750g	

- CABLE CONNECTION -

