

TEC-S30EM

680TVL / 3D-DNR / SENS-UP / TDN / 30 IR LED CAMERA



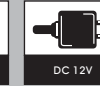
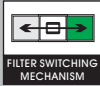
IP66



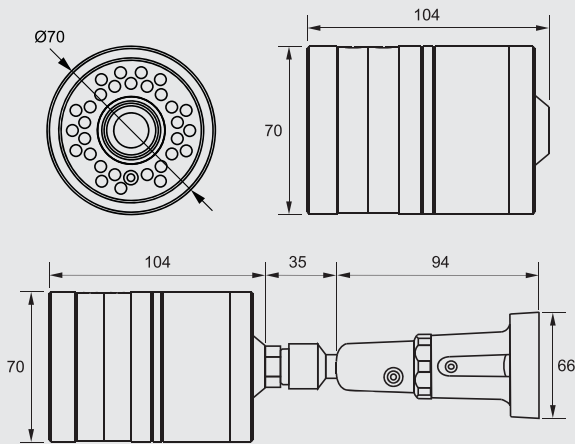
- FEATURES -

- 1/3" SONY 960H Ex-view HAD II CCD
- 680TV Lines Horizontal Resolution
- Excellent Low Light Sensitivity of 0.1Lux/F1.2
- Sens-up : x1024 (0.0004Lux/F1.2)
- 30ea IR LED (Visibility Range : 20~25m)
- True Day & Night
- IR Smart
- Digital WDR : Digital Wide Dynamic Range
- 3D-DNR : 3D-Digital Noise Reduction
- HLC : High Light Compensation
- DIS : Digital Image Stabilizer
- Motion Detection
- Privacy
- x8 Digital Zoom & Digital Pan / Tilt
- DC Varifocal ICR Lens f=2.8~11.0mm
- IP66 Weatherproof Type
- Adjustable Lens without Opening Case
- All Weatherproof Anodized Aluminum Housing and Sunshield

Option : RS-485 / Wired Remote Controller



- DIMENSION -



- SPECIFICATIONS -

TEC-S30EM		
Signal Format	NTSC	PAL
Horizontal Resolution	680TV Lines	
Image Sensor	1/3" SONY 960H Ex-view HAD II CCD	
Effective Pixels	976(H) x 494(V)	976(H) x 582(V)
Scanning System	2:1 Interlace	
Synchronization	Internal	
Scanning Frequency	15.734 KHz(H), 59.94 Hz(V)	15.625 KHz(H), 50.00 Hz(V)
Video Output	CVBS : 1.0Vp-p/75Ω	
Min. Illumination	Color : 0.1Lux/F1.2 (Sens-up : 0.0004Lux/F1.2) BW : 0.01Lux/F1.2 (Sens-up : 0.00004Lux/F1.2)	
Electronic Shutter	1/60 ~ 1/10,000 sec	1/50 ~ 1/10,000 sec
Iris Control	ALC (DC Auto Iris)	
Signal to Noise Ratio	52dB	
Backlight Compensation	OFF / BLC / HLC	
White Balance	ATW1 / ATW2 / AWC / PUSH / MANUAL / INDOOR / OUTDOOR	
Gain Control	OFF ~ 36dB (3dB Unit)	
3D-DNR	OFF / ON	
Day & Night	AUTO / DAY / NIGHT / EXT1 / EXT2	
IR Smart	OFF / ON	
Sens-up	x1024	
Digital WDR	OFF / LOW / MIDDLE / HIGH	
Digital Image Stabilizer	OFF / ON	
Digital Zoom	OFF / ON (Level 1~8), Digital Pan/Tilt	
Flickerless	OFF / ON	
Motion Detection	48 Area Zone Masking	
Privacy	24 Area	
Rotate / Flip	OFF / H-FLIP / V-FLIP / ROTATE	
Sharpness	Level Adjustable	
Camera ID	OFF / ON (Max.20ea/1Line)	
Communication	RS-485 (PELCO-D/P)	
OSD	Eng, Chi, Jpn, Ita, Deu, Spa, Por, Rus	
Lens	DC Varifocal ICR Lens f=2.8~11.0mm	
LED Quantity	30 EA	
Input Voltage	DC 12V (±10%)	
Power Consumption	LED Off : Max. 1.5W / LED On : Max. 3.9W	
Operating Temp/Hum	Temperature : -10°C ~ +50°C / Humidity : Less than 90%	
Dimension	70(Ø) x 104(D)mm	
Weight	Approx. 750g (W/Bracket & Sunshield)	

- CABLE -



- Power Input



- Video Output



- Wired OSD (Option)



- RS-485 & Motion Output (Option)

In accordance with customers' request and OSD controller's option, the specifications can be fixed or changed without notice.