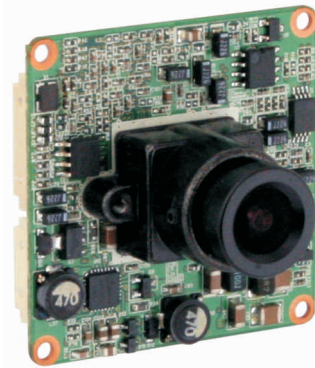


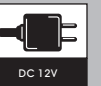
TCC-32427QS

42x42 SIZE MODULE CAMERA

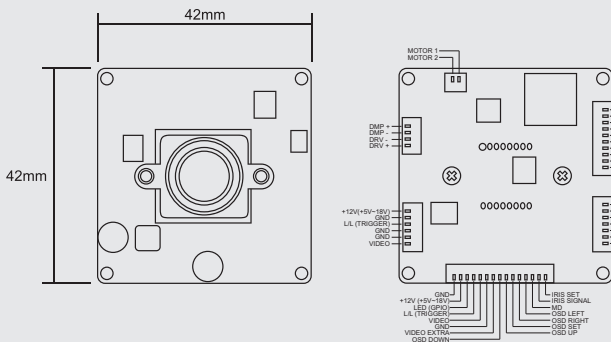


- FEATURES -

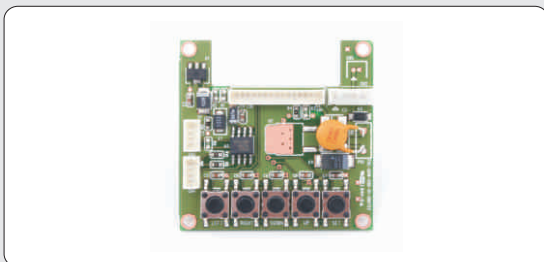
- 1/3" SONY High-Resolution Super HAD II CCD
- 560TV Lines Horizontal Resolution (B/W : 600TV Lines)
- Excellent Low Light Sensitivity of 0.3Lux/F1.2 (B/W : 0.001Lux/F1.2)
- Sens-up : x2 ~ x256 (0.0002Lux/F1.2)
- 2D + 3D DNR function
- Digital WDR : Digital Wide Dynamic Range
- Day & Night
- IR Smart Control
- Blemish Compensation : 128 Points(Auto) / 4 Points(Manual)
- Motion Detection (4 Zone)
- Privacy (8 Zone)
- Digital Zoom (x256)
- OSD Built-in (English, Japanese, Chinese, Korea)
- 42 x 42mm Size One Board Camera



- DIMENSION -



- OSD CONTROL BOARD -



- VARIFOCAL LENS TYPE -



- SPECIFICATIONS -

TCC-32427QS		
Signal Format	NTSC	PAL
Horizontal Resolution	Color : 560TV Lines, B/W : 600TV Lines	
Image Sensor	1/3" SONY High-Resolution Super HAD II CCD	
Effective Pixels	768(H) x 494(V)	752(H) x 582(V)
Scanning System	2:1 Interlace	
Synchronization	Internal	
Scanning Frequency	15.734 KHz(H), 59.94 Hz(V)	15.625 KHz(H), 50.00 Hz(V)
Video Output	CVBS : 1.0Vp-p/75Ω	
Min. Illumination	Color : 0.3Lux/F1.2, B/W : 0.001Lux/F1.2, Sens-up : 0.0002Lux/F1.2	
Electronic Shutter	1/60 ~ 1/100,000 sec	1/50 ~ 1/100,000 sec
IRIS Control	DC / MANUAL	
Signal to Noise Ratio	50dB (AGC Off, Weight On)	
Backlight Compensation	BLC / HSBLC / OFF	
White Balance	AWB / MANUAL / INDOOR / OUTDOOR / ATW (2,000°K ~ 20,000°K)	
Gain Control	LOW / MIDDLE / HIGH / OFF	
2D + 3D DNR	ON / OFF	
Day & Night	AUTO / COLOR / B/W / EXT	
IR Control	ON / OFF (IR Smart)	
Sens-up	AUTO / OFF (Selectable x2 ~ x256)	
Digital WDR	ON / OFF	
Digital Zoom	ON / OFF (x256)	
Gamma	Adjustable (0.05 ~ 1.00)	
Motion Detection	ON / OFF (4 Zone)	
Privacy	ON / OFF (8 Zone)	
Mirror	MIRROR / V-FLIP / ROTATE / OFF	
Freeze	ON / OFF	
Sharpness	ON / OFF (Level Adjustable)	
Blemish Compensation	128 Points (Auto) / 4 Points (Manual)	
OSD	Built-in (Korean, English, Japanese, Chinese)	
Lens	Board Lens : f=3.6 / 6.0 / 8.0mm DC Varifocal Lens : f=2.8-11.0 / 4.0-9.0mm & ICR Lens	
Input Voltage	DC 12V (±10%)	
Power Consumption	Max. 2.0W	
Operating Temp/Hum	Temperature : -10°C to +50°C / Humidity : 30% to 80% RH	
Storage Temp/Hum	Temperature : -20°C to +60°C / Humidity : 20% to 90% RH	
Dimension	42.0(W) x 42.0(H) x 1.0(T)mm	
Weight	Approx. 12g	