

# MCL-400S

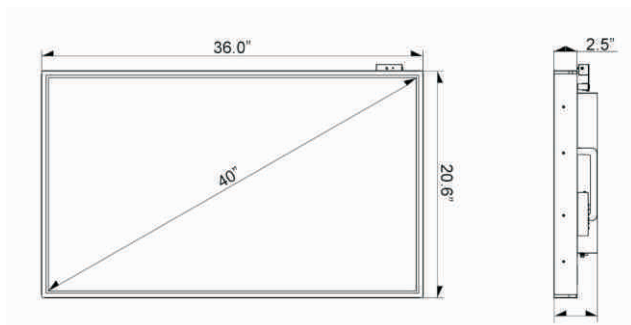
## 40 INCH TFT LCD MONITOR



### - FEATURES -

- True LCD CCTV Built to Run 24 x 7 x 365 Continuously
- Only 12mm Flat Bezel with No Buttons and No Light - Perfect for tight mounting your Virtually Seamless Video Wall
- 3-D Digital Comb Filter with De-interlace for High Quality Video
- 1920 x 1080p Full HD Resolution
- 1 RS232-C In / Out, 2 Video BNC In / Out, 1 DVD-D In, 1 HDMI In, 1 S-Video In / Out, 1 VGA In, 1 Component In
- View Dual Input Sources on 1 Monitor via PBP (Picture by Picture), PIP (Picture In Picture)
- RS-232C In & Out for Controlling the Monitors via Server / PC
- Connect Each Monitor Directly to External Devices for Multiple Surveillance Options
- Perfect for both Video Wall or Independent Mount Solutions
- Optional : Variety of Mount Solutions to choose from
- Remote Control Included
- 100/240 VAC, 60/50Hz Autoranging Internal Power Supply

### - DIMENSION -



**- WALL MOUNT BRACKET -**



**MCL-4250W**

- Material is steel which is very strong and semi permanent.
- With horizontal control handle, we can install monitors horizontally.
- VESA : 468x450mm(Max)
- Maximum weight of LCD : 80Kg
- For 21 to 52 inch
- Tilt(V) : -15 to +15 degree
- COLOR : Black or Silver
- Size : 800 x 500 x 62 mm
- Net : 4.3kg

**- SPECIFICATIONS -**

MCL-400S		
<b>BEZEL WIDTH</b>	Bezel Open area	13mm
	Active Pixel Area	20mm
<b>DISPLAY</b>	Screen Size	40 Inch (Full HD)
	Max. Resoluition	1920 x 1080 @ 60Hz
	Active Display Area	925.12 x 537.88mm
	Pixel Pitch	0.53 x 0.53mm
	Brightness	700cd/m <sup>2</sup>
	Contrast Ratio	3000 : 1
	Aspect ratio	16 : 9
	Viewing Angle	178°/178°
	Display Color	16.7 Million
	Response Time	<8ms (Gray to Gray)
<b>INTERFACE</b>	Video System	NTSC / PAL / SECAM
	Video In / Out (BNC Type)	2 / 2
	S-Video In / Out	1 / 1
	VGA In / Out (15Pin D-Sub)	1
	DVI-D In / HDMI In	1 / 1
	Audio In / Out (RCA Type)	3 (L + R)
	PC Stereo In	1
	Component In	1
<b>AUDIO</b>	RS232 In / Out	1 / 1
	Built In Speaker	4W x 2
<b>TRANSMITTER</b>	IR Remote Control	Yes
<b>FEATURES</b>	Picture In Picture (PIP)	Analog / Analog
	Picture By Picture (PBP)	BNC / BNC
	Filter Type	3D Comb Filter / Deinterlace
	Noise Reduction	Yes
	Auto Source Sequencing	Yes
	Trigger Source Switching	Yes
	Multi Language	English, Spanish, French, German, Italian
	RS-232C Control	Monitor OSD Control using PC
<b>DIMENSION</b>	Outline Dimension	914 x 122 x 527mm (36" x 4.77" x 20.6")
	Net. Weight	26Kg (57.3lbs)
<b>WARRANTY</b>	Part / Labor	2year / 2year
	MTBF (Approx.)	50,000 Hours
<b>REGULATIONS</b>		RoHS, TUV-NRTL (=UL), CB, FCC (A), CE-Emc (LVD)
<b>CIRCUMSTANCE</b>	Operating Temperature	0 ~ 50°C / 32 ~ 112°F
	Storage Temperature	-20 ~ 60°C / -4 ~ 140°F
<b>POWER</b>	Electrical Ratings	AC 100 ~ 240V (50/60Hz) Auto Switching
	Power Consumption	220W
<b>MOUNT</b>	VESA™ Mount Size	600 x 400mm
	Video Wall	WSR, WES2, WFS

\* Specifications are subject to change without notice.